

Ancar

Dental  
Equipment



Sd 60  
Cd 25



# Sd 60 + Cd 25

## Sd 60 Electro-pneumatic Set Cd 25 Dental Cart

### Technical Specifications

#### Ergonomics

Minimum chair height 432 mm., making it easier to work on upper jaw.  
Water box with 75° swivel to make assistant's work easier.

The equipment can be adjusted in many ways:

- Cannula support arm movements.
- Positions for working.

#### Safety Features

In back and base of chair.

In the auxiliary cannula support.

In movement keypads.

And in optional instruments, using adjustment pedal.

#### Hygiene

Dismountable and thermo-disinfectable suction hoses.

Easy-clean suction filter.

#### 4 possible combinations for installation

- Sd 60 Dental Set + Cd 25 Cart.
- Cd 25 Standalone Dental cart with connection box.
- Cd 25 Dental cart without connection box.
- Sd 60 Dentistry Set.

#### Functions

Adaptation of the Cd 25 to the doctor's requirements:

- 3F syringe.
- Electric micromotor and turbine, with or without light.
- Ultrasound with or without light, polymerising lamp, intra-oral camera.

Adaptation of TFT monitor in the column of the equipment.

Chair with Trendelenburg position.

5 position memories (3 for working, reset and return to cuspidor).

Possibility of adding different types of suction:

- Individual or centralised.
- With or without amalgam recovery
- For dry or wet suction motors.

Pedal with chair movement control and instrument control using lever, with water and "chip-blower" selector.

Pre-installation of on-off function for operating light when exiting lounge position.

Adjustments of spray pressure in instruments and individual water pressure.

#### Materials

Cd 25 cart, chair, water box, pedal and auxiliary cannula support manufactured in light, rust-free aluminium alloy.

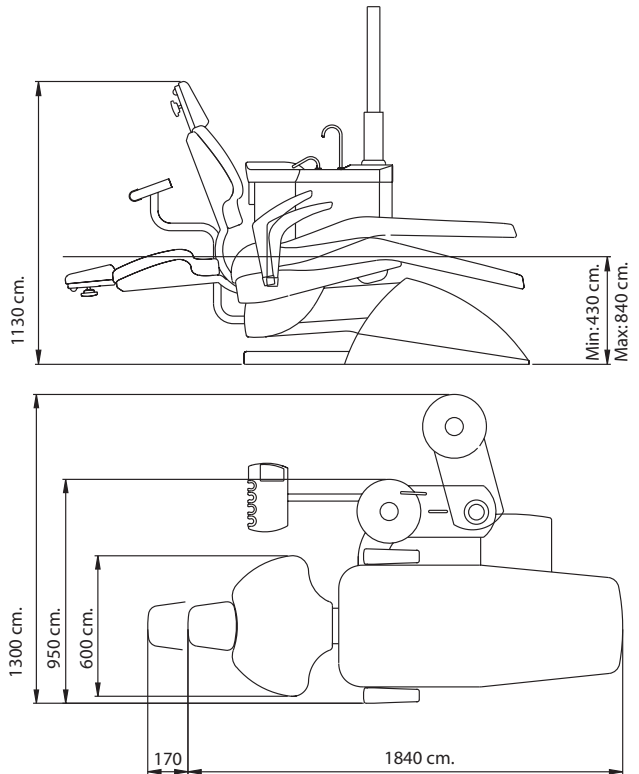
Water box and connection box covered in highly-resistant, non-warp and easily fittable Baydur® polyurethane.

Large-capacity porcelain cuspidor.

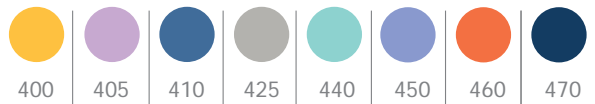
Seam-free, fire-proof upholstery, permeable to water vapour and air, highly elastic and pleasant to the touch.

Individual separate water control valves for each instrument on the pneumatic block.

### Equipment Dimensions



### Upholstery Colours



### Range of Dental Sets and Stools



Sd 60 + Cd 25



Sd 150



Sd 175



Sd 300



Td 220 - Td 170



Subject to design changes and/or specifications without prior notice. Made in Europe.

www.ancar-dental.com

**Ancar**

**Dental  
Equipment**