

Ancar

Dental  
Equipment



Sd  
300



# Sd 300

## Electronic Dental Equipment with Continental Delivery System

### Technical Specifications

#### Ergonomics

Chair with adjustable, reclining and Trendelenburg positions, with 5 pre-set positions (three for working, reset and return to cuspidor).

Minimum chair height 432 mm., making it easier to work on upper jaw.

Water box with 75° swivel to make assistant's work easier.

Proportional electronic pedal for working with/without water, micromotor direction inverter, "chip blower" drive and chair movement.

Auxiliary tray attached to instrument tray.

Optional armrest on right-hand side.

#### Safety Features

Factory-fitted cannula support, chair back and base.

Within the movement keypads.

On optional instruments (turbine, micromotor and ultrasound) through adjustor pedal.

On instrument perch selector.

#### Hygiene

Extractable and autoclavable silicone instrument stand.

Dismountable and thermo-disinfectable suction hoses.

Easy-clean suction filter.

#### Customised Equipment

Up to seven instruments: Five on the instrument tray and two on the auxiliary cannula support.

Possibility of having turbine and the micromotor change places using a single compatible hose.

Possibility of adding a TFT monitors.

#### Functions

Electronic unit controlled by micro-processor.

Instrument programming via digital support.

Choice of working language.

Programming of maximum and minimum speeds of the micromotor, ultrasound strength and intensity of light to the instruments.

Display with real working speed of the micromotor from 800 to 40,000 rpm.

Programming of ultrasound in work mode: scaling, perio and endo.

Graphic display of ultrasound strength level.

Electronic adjustment of cup-fill time and water in cuspidor.

System for the detection and monitoring of visualisation errors on the display.

The equipment performs an automatic self-test when turned on (Check control).

Arm and instrument tray with mechanical compensation and pneumatic brake.

#### Materials

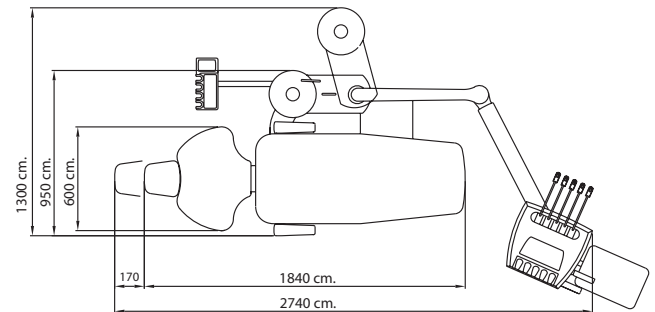
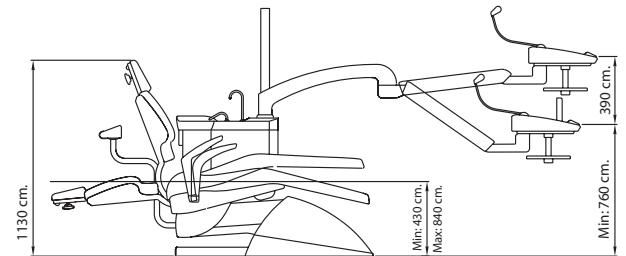
Chair, water box, pedal, auxiliary cannula support, arm and instrument tray manufactured in light, rust-free aluminium alloy.

Water box and connection box covered in highly-resistant, non-warp and easily-fittable Baydur® polyurethane.

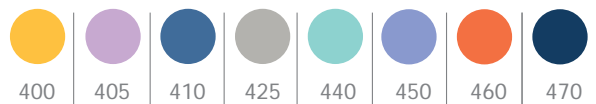
Large-capacity porcelain cuspidor.

Seam-free, fire-proof upholstery, permeable to water vapour and air, highly elastic and pleasant to the touch.

### Equipment Dimensions



### Upholstery Colours



### Range of Dental Sets and Stools



Sd 60 + Cd 25



Sd 150



Sd 175



Sd 300



Td 220 - Td 170



Subject to design changes and/or specifications without prior notice. Made in Europe.

www.ancar-dental.com

**Ancar**

**Dental  
Equipment**