

Ancar

Dental
Equipment



Sd
175



Sd 175

Electro-pneumatic Dental Equipment with Hanging Hose

Technical Specifications

Ergonomics

Minimum chair height 432 mm., making it easier to work on upper jaw.

Water box with 75° swivel to make assistant's work easier.

The equipment can be adjusted in many ways:

- Side movement of the instrument tray arm.
- Cannula support arm movements.
- Positions for working.

Safety Features

In back and base of chair.

In the auxiliary cannula support.

In movement keypads.

In optional instruments, through adjustment pedal.

Hygiene

Extractable and autoclavable instrument support.

Dismountable and thermo-disinfectable suction hoses.

Easy-clean suction filter.

No joins or corners on the main instrument tray.

Functions

Electro-pneumatic set.

Chair with Trendelenburg position.

Instrument tray with possible adjustment:

- 3F or 6F syringe.
- Electric micromotor and turbine, with or without light.
- Ultrasound with or without light, polymerising lamp, intra-oral camera.

Possibility of adapting TFT monitor in the equipment column.

5 position memories (three for working, reset and return to cuspidor).

Chair movements available on keypads (main and auxiliary) and pedal.

Possibility of adding individual or centralised suction, with or without recovery and for wet or dry suction motors.

Pedal with chair movement control and instrument control using lever, with water and "chip-blower" selector.

Pre-installation of on-off function for operating light when exiting lounge position.

Adjustment of spray and water pressure.

Arm and instrument tray with mechanical compensation and pneumatic brake.

Materials

Made in light, anticorrosive aluminium alloy: chair, instrument arm and tray, auxiliary cannula support, arm and water box, and pedal.

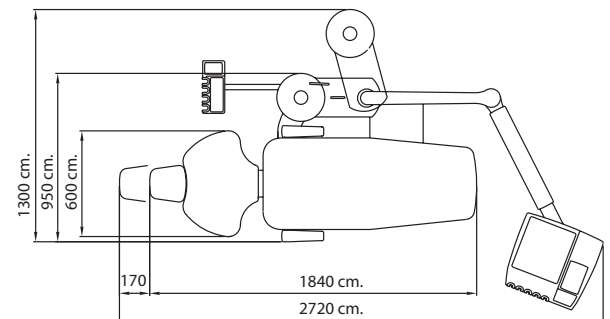
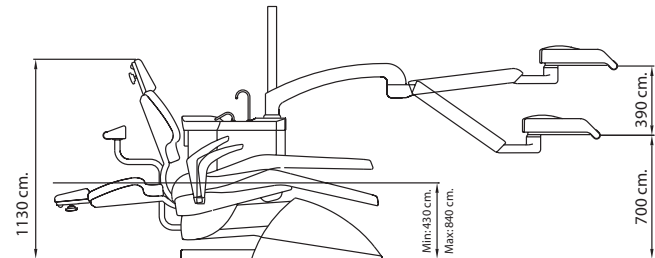
Water box and connection box covered in highly-resistant, non-warp and easily fittable Baydur® polyurethane.

Seam-free, fire-proof upholstery, permeable to water vapour and air, highly-elastic and pleasant to the touch.

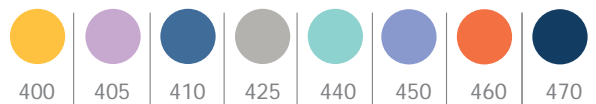
High-capacity porcelain cuspidor.

Individual separate water control valves for each instrument on the pneumatic block.

Equipment Dimensions



Upholstery Colours



Range of Dental Sets and Stools



Sd 60 + Cd 25



Sd 150



Sd 175



Sd 300



Td 220 - Td 170



Subject to design changes and/or specifications without prior notice. Made in Europe.

www.ancar-dental.com

Ancar

**Dental
Equipment**